

Video Tracker-ZX-GZ8-D2V3

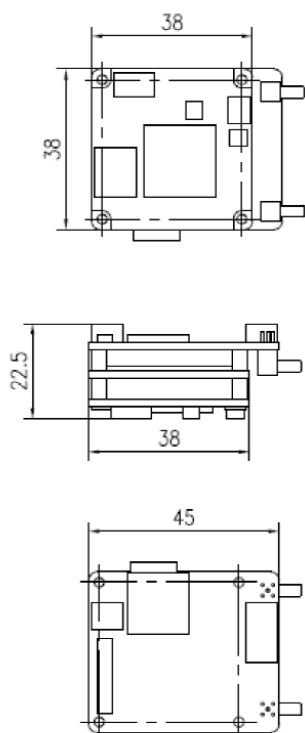
Features

- Small in size, easy for integration
- Adapt to target panning, zooming, rotation and partial occlusion
- Adapt to image affine transformation caused by high speed movement
- HDMI micro/PAL video input & SDI/Ethernet/422 video output
- On-Screen-Display



Parameter

Dimension



Video format	Video input	HD 1080P
	Video output	HD 1080P
	Video storage	SD card for JPEG/H.264 (default 32G, support up to 128G)
Tracking index	Frequency	25Hz-60Hz
	Minimum target contrast	5%
	Tracking speed	±32 pixels/frame
	Target effective memory	100 frames
	Target size	16×16 ~ 128×128pixels
Electrical interface	Video input	LVDS +AV
	Video output	SDI +Ethernet+422
	Communication interface	RS422
	Power input	DC 12V
Environment suitability	Working temperature	-40°C ~ 60°C
	Storage temperature	-45°C ~ 65°C
Others	Size	45mm×38mm×22.5mm
	Weight	<31g
	Power	<3W (@25°C)